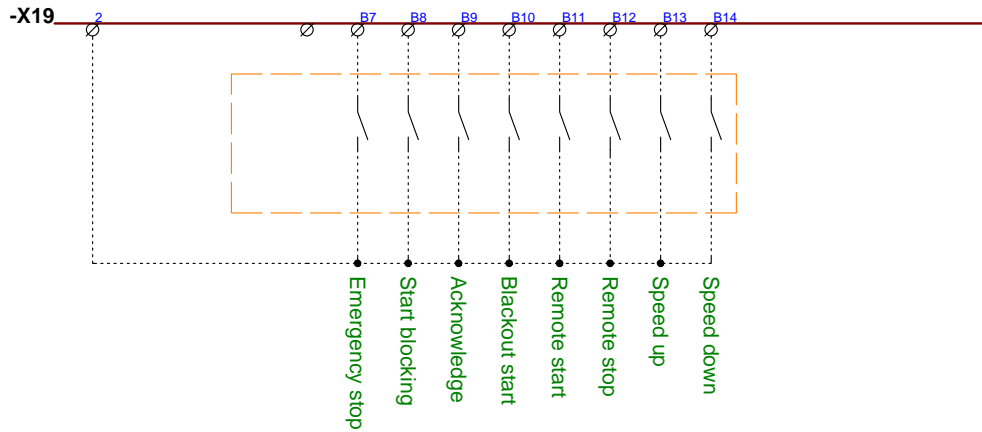


	Customer/Shipyard:	File Name: SEM-121206-01D	Drawing no.
	Hull No:	Drawn by: MF	SEM-121206-01D
	Engine: D13MG RC EME Electrical Starter	Based on software: 21652348_P01	Project no.
	Page Title: Single line diagram - System layout	Date For Last Change: 2014-03-04 11:51:30	Page 1 of 8

Customer Interface

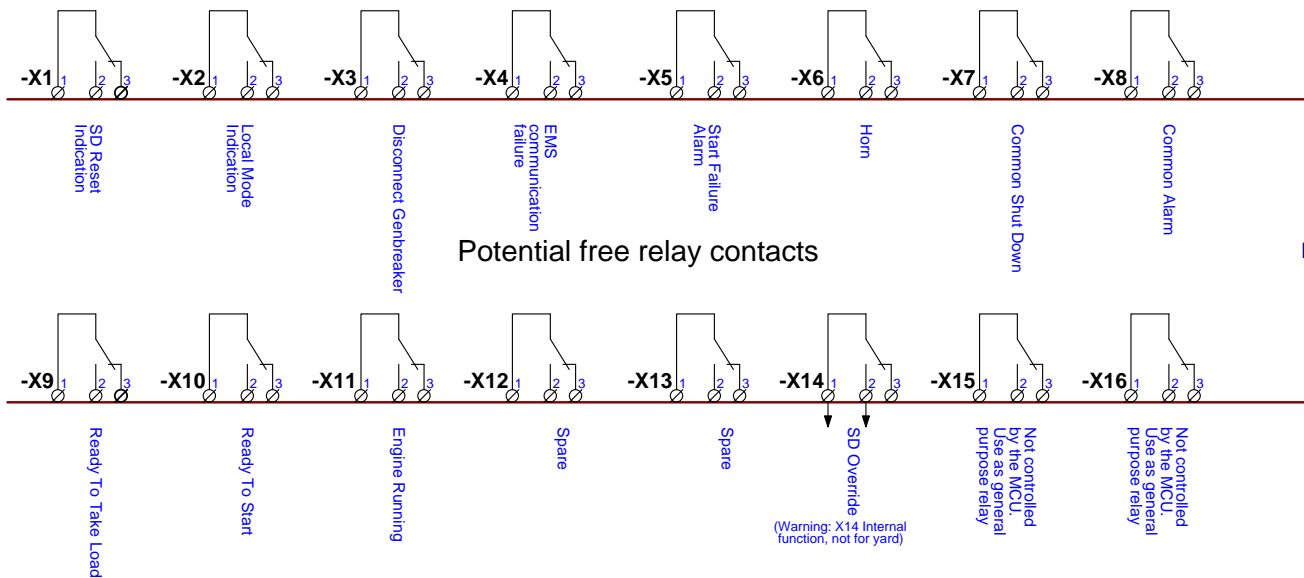
Inputs



Optional rpm signals from load sharing and synchron. units. Implemented by Volvo Penta on request

Contacts for speed up and down (default)
Voltage: ±1V
Resistance: 0-250 Ohm, 0-2.4 kOhm
Current: ±20 mA

Outputs



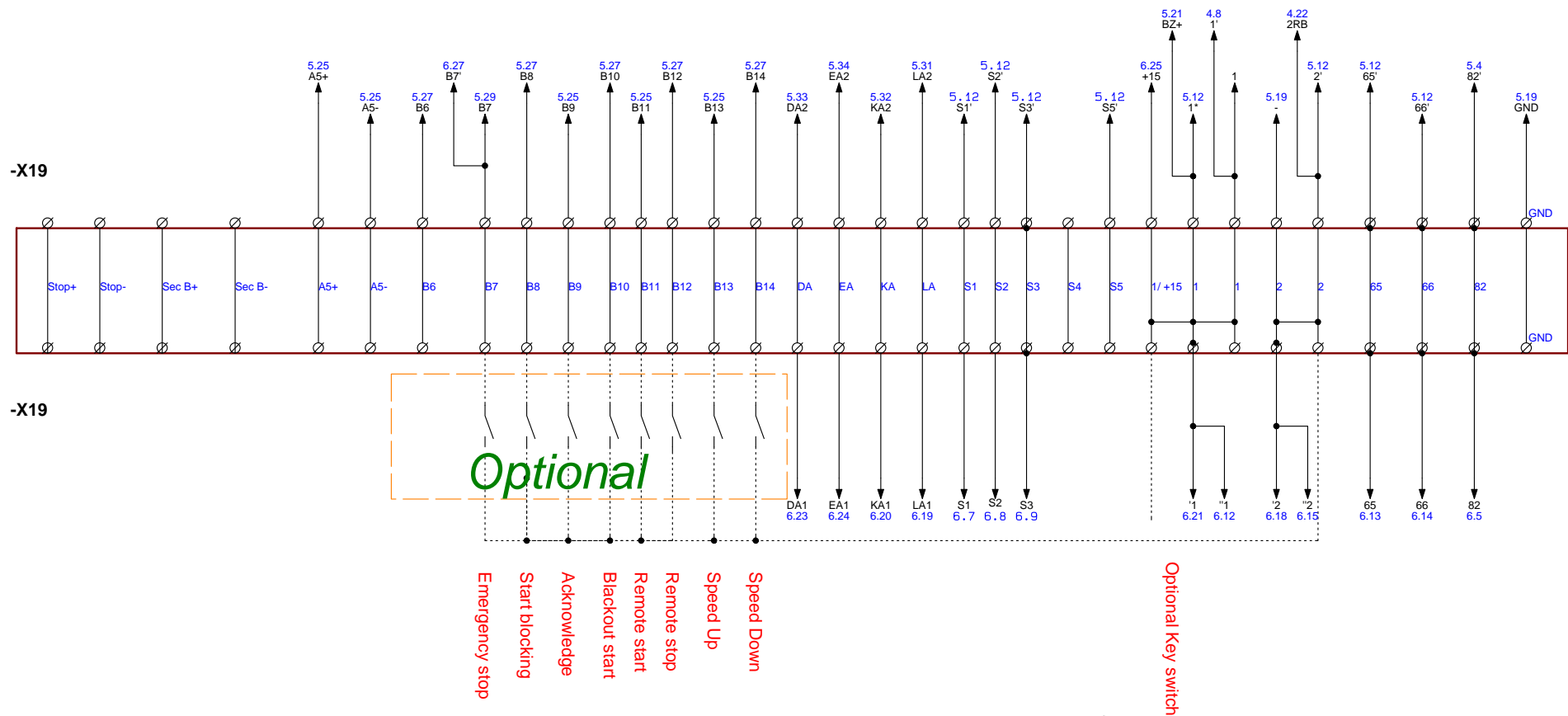
Potential free relay contacts

Max 24VDC, 230VAC not allowed, on relay contacts

	Customer/Shipyard:	File Name: SEM-121206-01D	Drawing no.
	Hull No:	Drawn by: MF	SEM-121206-01D
	Engine: D13MG RC EME Electrical Starter	Based on software: 21652348_P01	Project no.
	Page Title: Customer Interface	Date For Last Change: 2014-03-04 11:57:54	Page 2 of 8

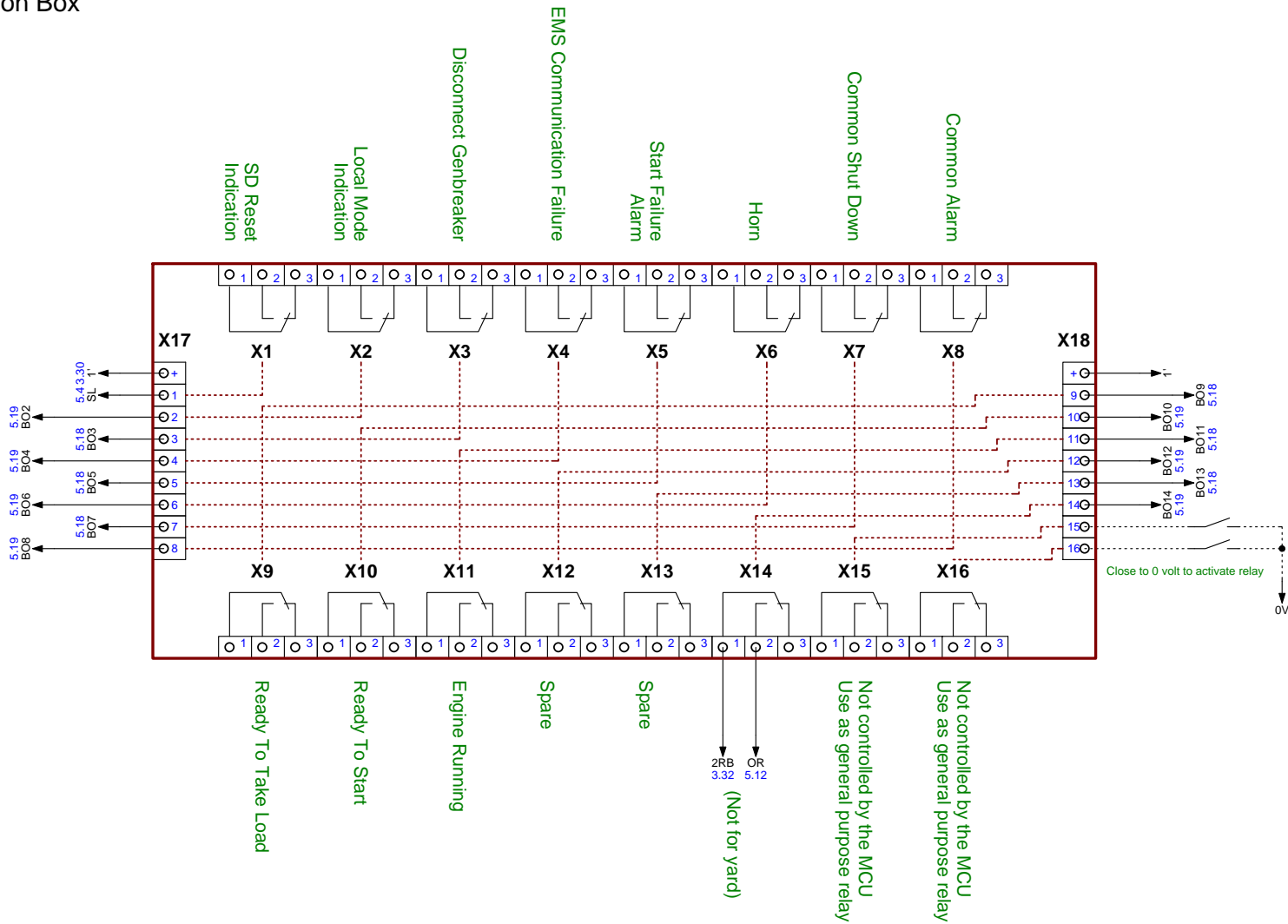
1 2 3 4 5 6 7 8 9 10 11 12 13 14 15 16 17 18 19 20 21 22 23 24 25 26 27 28 29 30 31 32 33 34 35 36 37 38

System Connection Box



Customer/Shipyard:	File Name: SEM-121206-01D	Drawing no. SEM-121206-01D
Hull No:	Drawn by: MF	Project no.
Engine: D13MG RC EME Electrical Starter	Based on software: 21652348_P01	Page 3 of 8
Page Title: User inputs , -X19 terminals	Date For Last Change: 2014-03-04 11:37:58	

System Connection Box

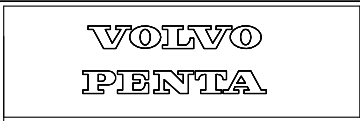
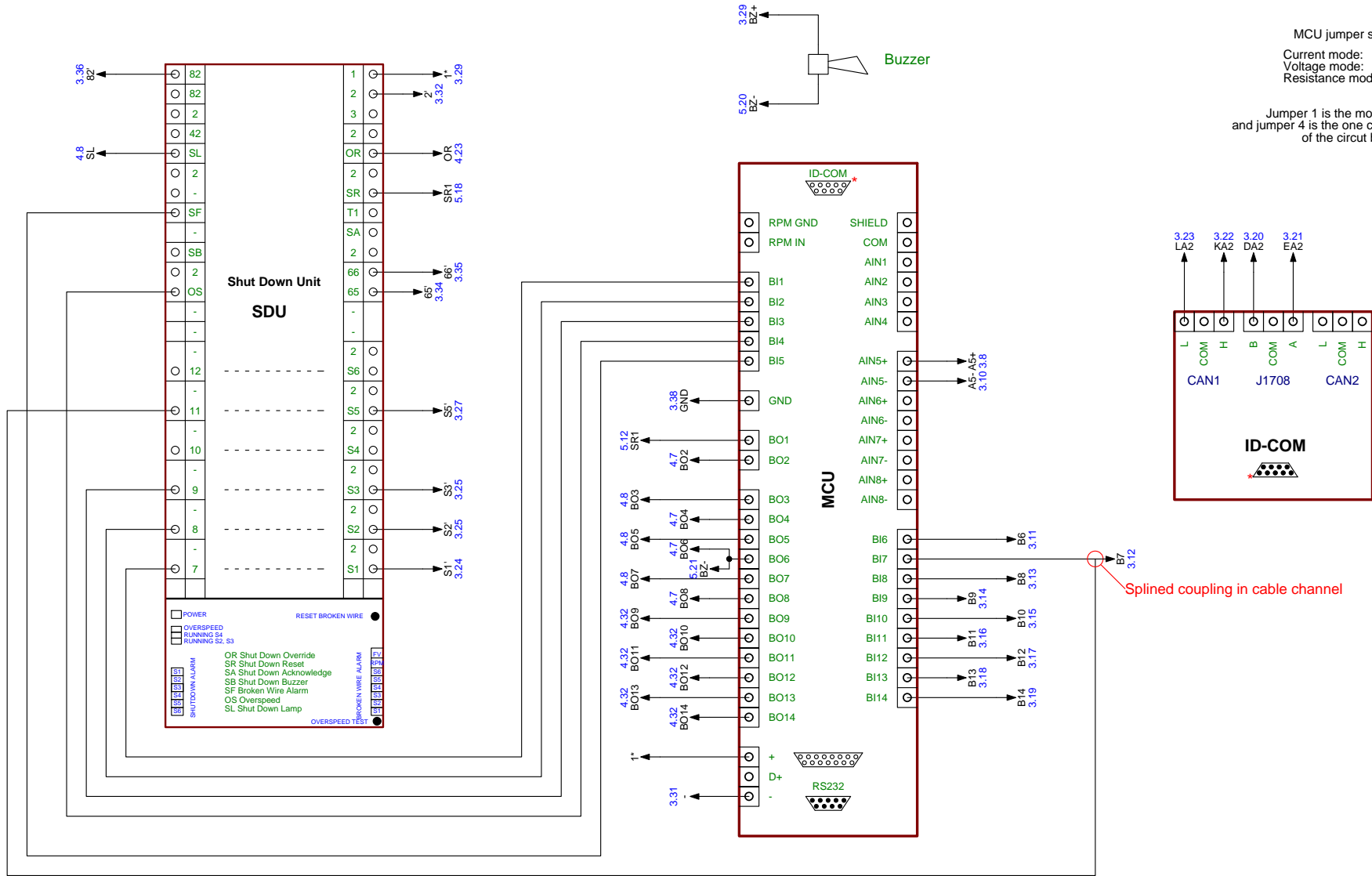


Customer/Shipyard:
 Hull No:
 Engine: D13MG RC EME Electrical Starter
 Page Title: Potential free contacts

File Name: SEM-121206-01D
 Drawn by: MF
 Based on software: 21652348_P01
 Date For Last Change: 2014-03-04 11:35:46

Drawing no. **SEM-121206-01D**
 Project no.
 Page 4 of 8

System Connection Box

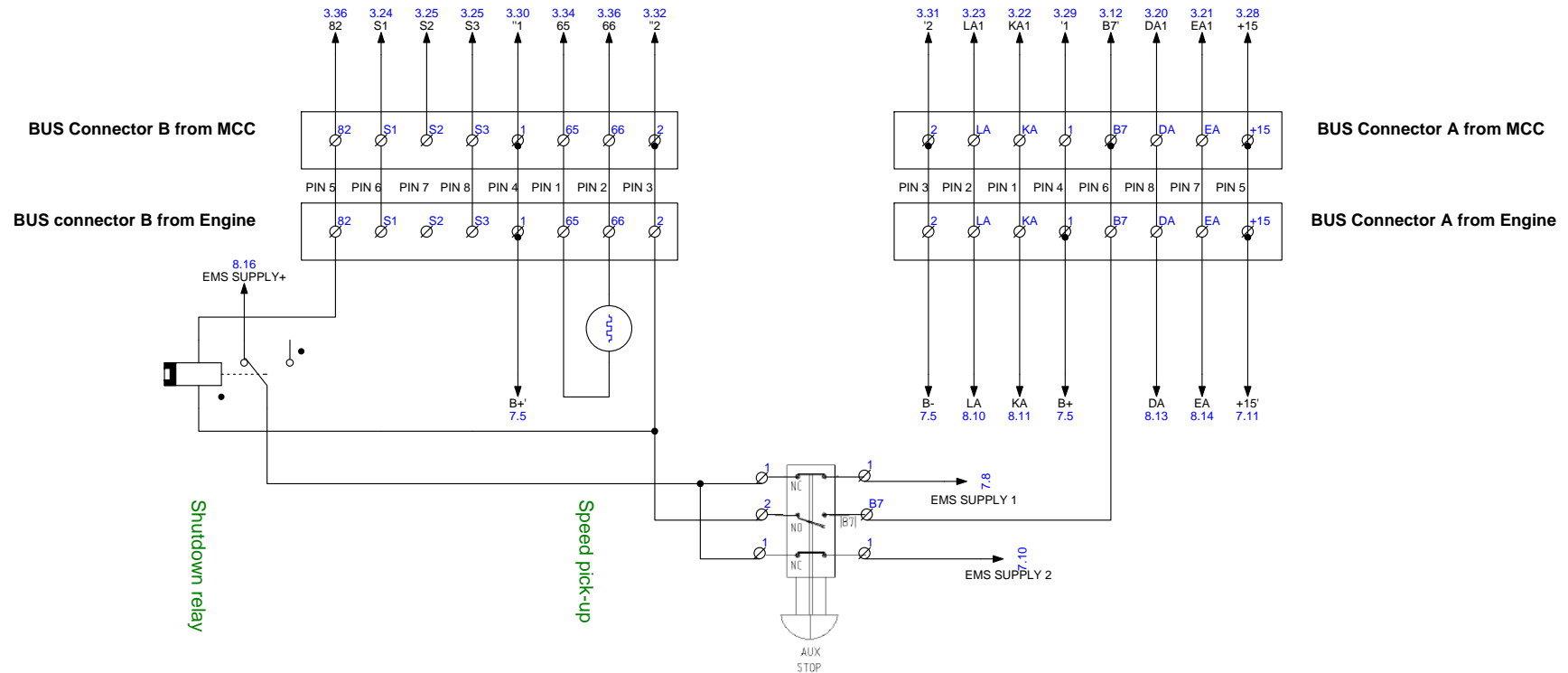


Customer/Shipyard:
 Hull No:
 Engine: D13MG RC EME Electrical Starter
 Page Title: MCU, SDU and ID-COM

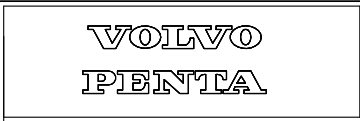
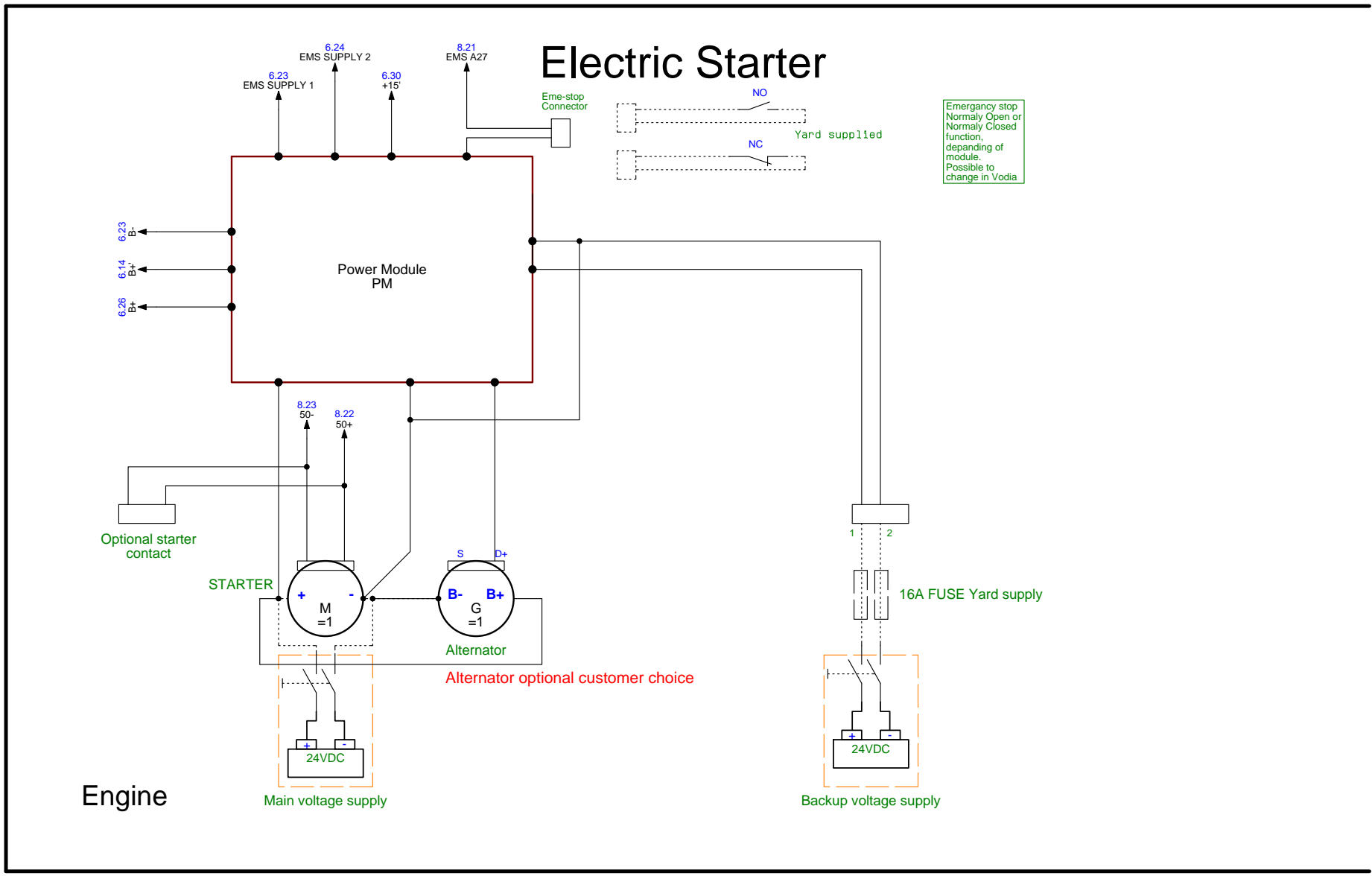
File Name: SEM-121206-01D
 Drawn by: MF
 Based on software: 21652348_P01
 Date For Last Change: 2012-12-20 10:28:42

Drawing no. **SEM-121206-01D**
 Project no.
 Page 5 of 8

Engine Connection



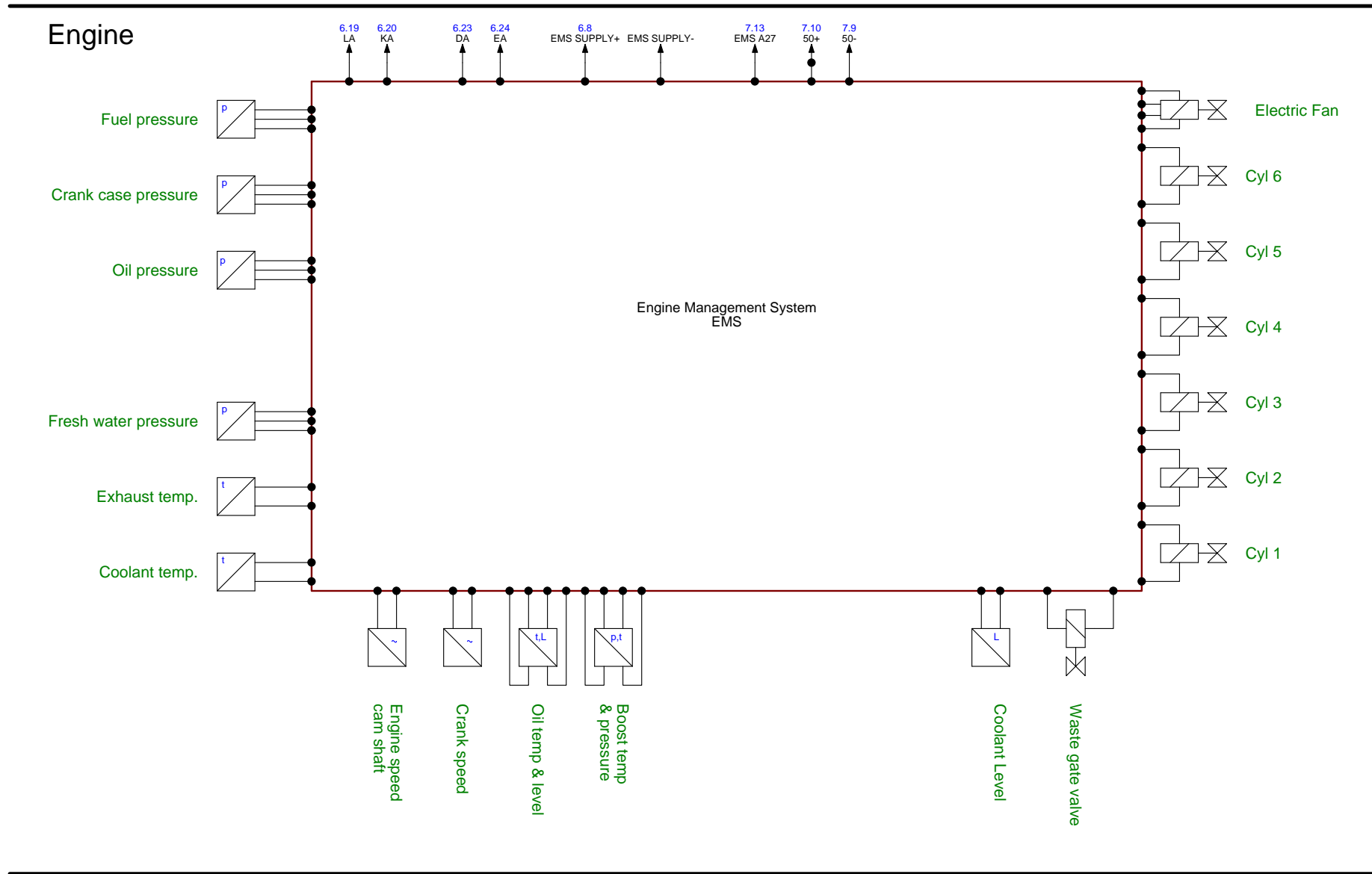
	Customer/Shipyard:	File Name: SEM-121206-01D	Drawing no.
	Hull No:	Drawn by: MF	SEM-121206-01D
	Engine: D13MG RC EME Electrical Starter	Based on software: 21652348_P01	Project no.
	Page Title: Engine Connection	Date For Last Change: 2012-12-06 11:23:54	Page 6 of 8



Customer/Shipyard:
Hull No:
Engine: D13MG RC EME Electrical Starter
Page Title: Voltage supply, Electric Starter

File Name: SEM-121206-01D
Drawn by: MF
Based on software: 21652348_P01
Date For Last Change: 2014-03-04 12:03:44

Drawing no.
SEM-121206-01D
Project no.
Page 7 of 8



	Customer/Shipyard:	File Name: SEM-121206-01D	Drawing no.
	Hull No:	Drawn by: MF	SEM-121206-01D
	Engine: D13MG RC EME Electrical Starter	Based on software: 21652348_P01	Project no.
	Page Title: Engine sensors and EMS	Date For Last Change: 2014-03-04 11:44:56	Page 8 of 8