

Customer/Shipyard:  
 Hull No:  
 Engine: D7 AUX Electrical Starter  
 Page Title: Single line diagram - System layout

File Name: SEM-051114-34F  
 Drawn by: RJ  
 Based on software: 21654548\_P01  
 Date For Last Change: 2013-12-18 15:03:00

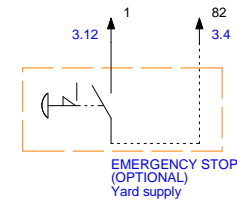
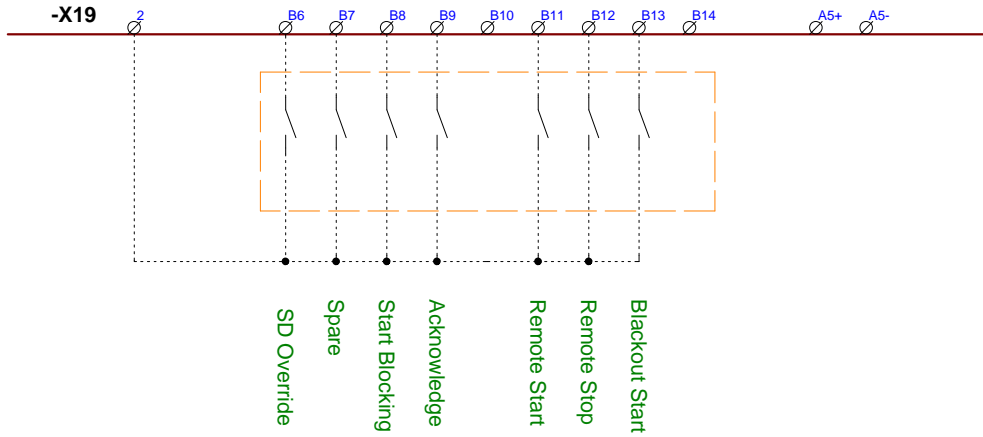
Drawing no.  
**SEM-051114-34F**  
 Project no.  
 Page 1 of 7

1 2 3 4 5 6 7 8 9 10 11 12 13 14 15 16 17 18 19 20 21 22 23 24 25 26 27 28 29 30 31 32 33 34 35 36 37 38

# Inputs

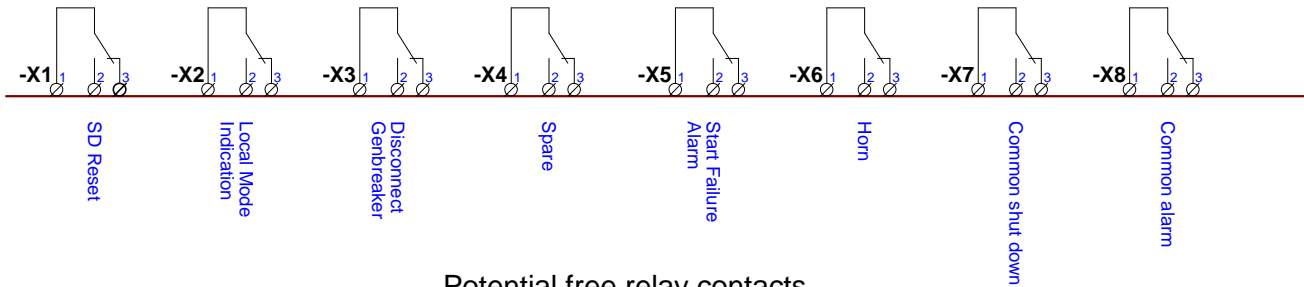
# Customer Interface

All terminals X1 through X19 are located in the system connection box mounted on a bracket at the rear of the genset.

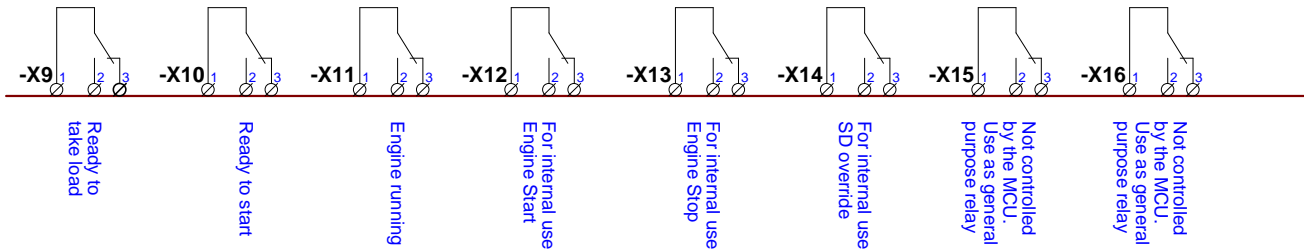


# Outputs

## Potential free relay contacts

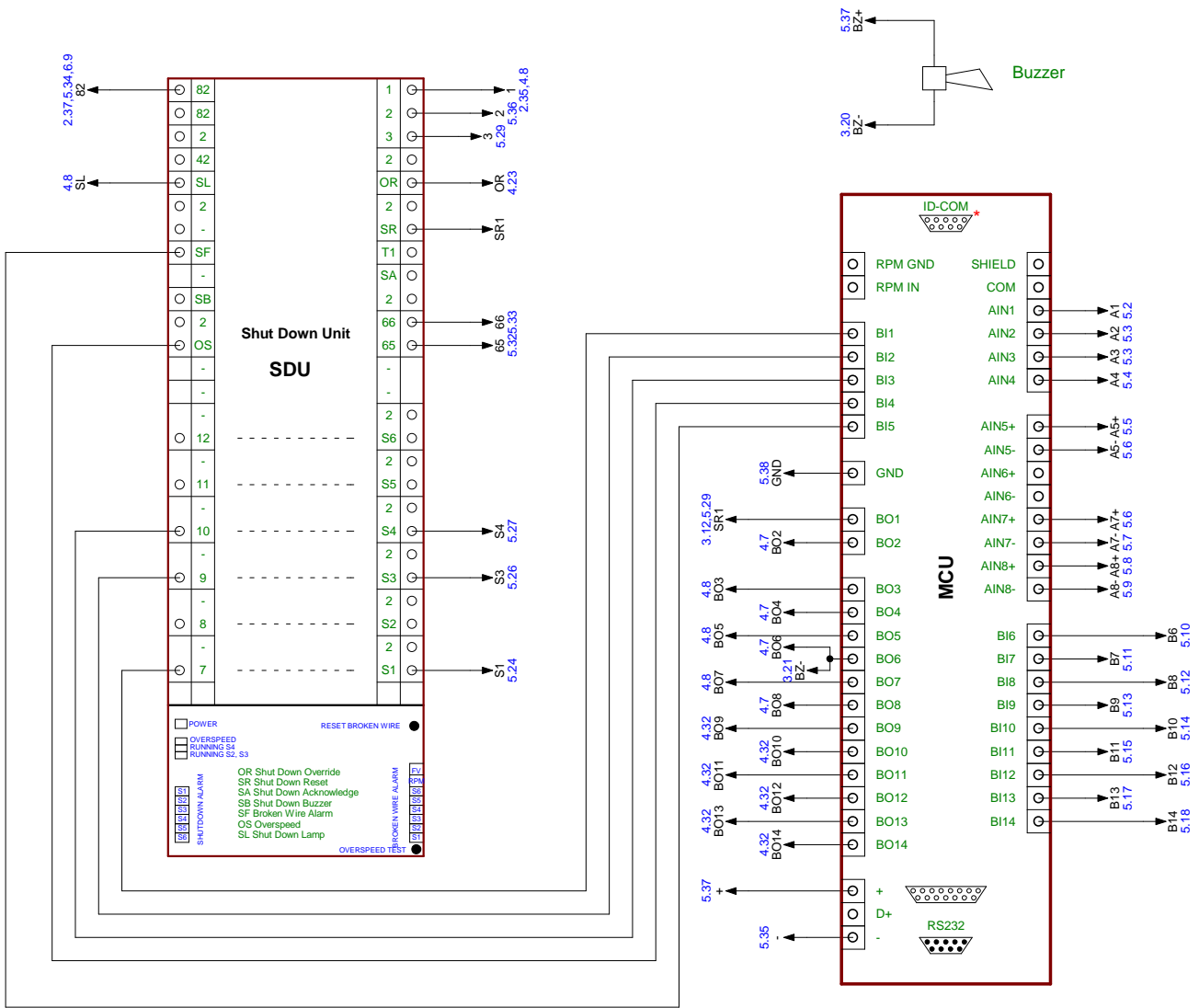


## Potential free relay contacts



Customer/Shipyard:	File Name: SEM-051114-34F	Drawing no.
Hull No:	Drawn by: RJ	<b>SEM-051114-34F</b>
Engine: D7 AUX Electrical Starter	Based on software: 21654548_P01	Project no.
Page Title: Customer Interface	Date For Last Change: 2014-06-17 09:44:00	Page 2 of 7

# System Connection Box



MCU jumper settings  
 Current mode: 1-2  
 Voltage mode: 2-3  
 Resistance mode: 3-4

Jumper 1 is the most inner one and jumper 4 is the one closest to the edge of the circuit board

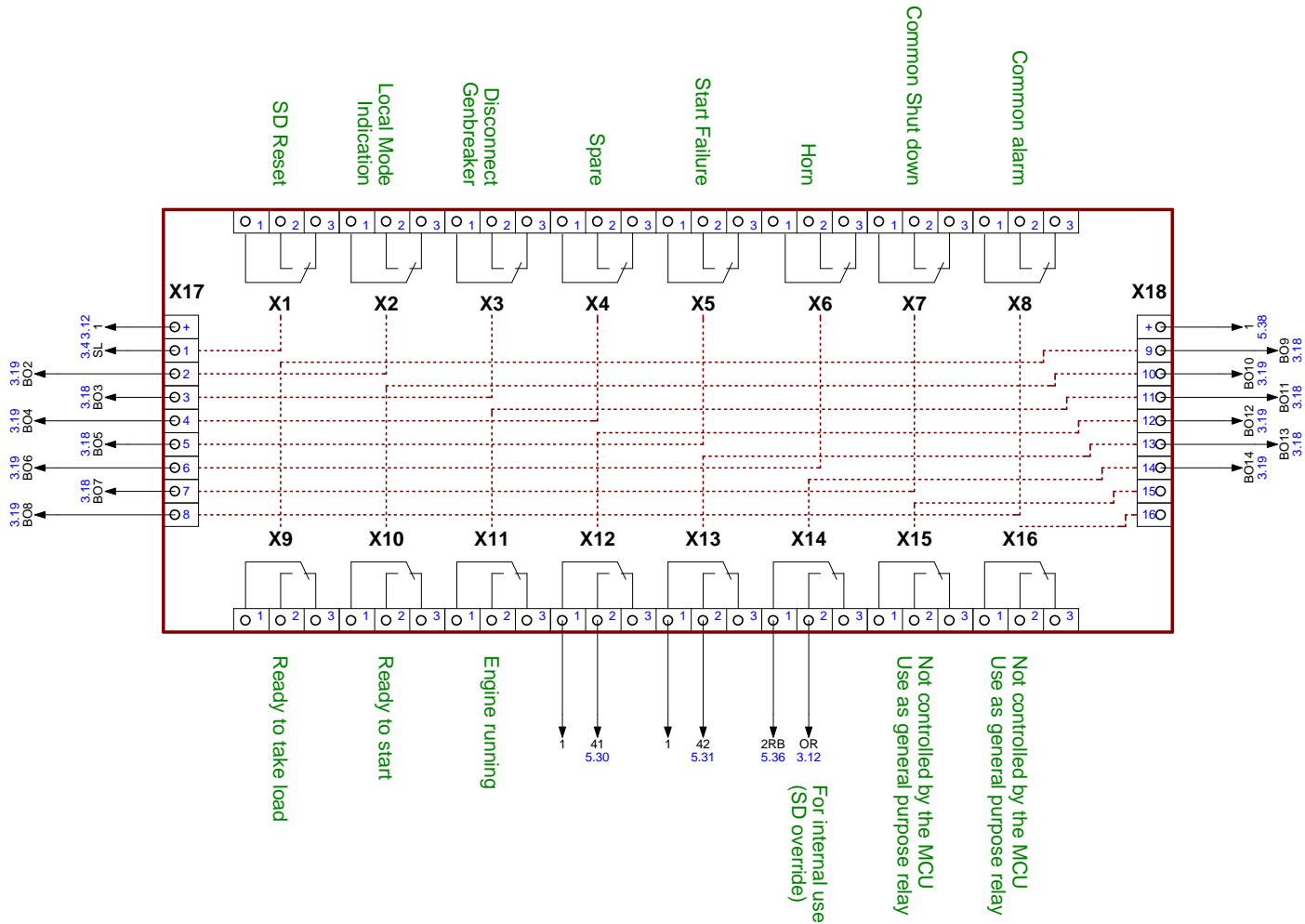


Customer/Shipyard:  
 Hull No:  
 Engine: D7 AUX Electrical Starter  
 Page Title: MCU, SDU and ID-COM

File Name: SEM-051114-34F  
 Drawn by: RJ  
 Based on software: 21654548\_P01  
 Date For Last Change: 2014-06-17 09:25:02

Drawing no. **SEM-051114-34F**  
 Project no.  
 Page 3 of 7

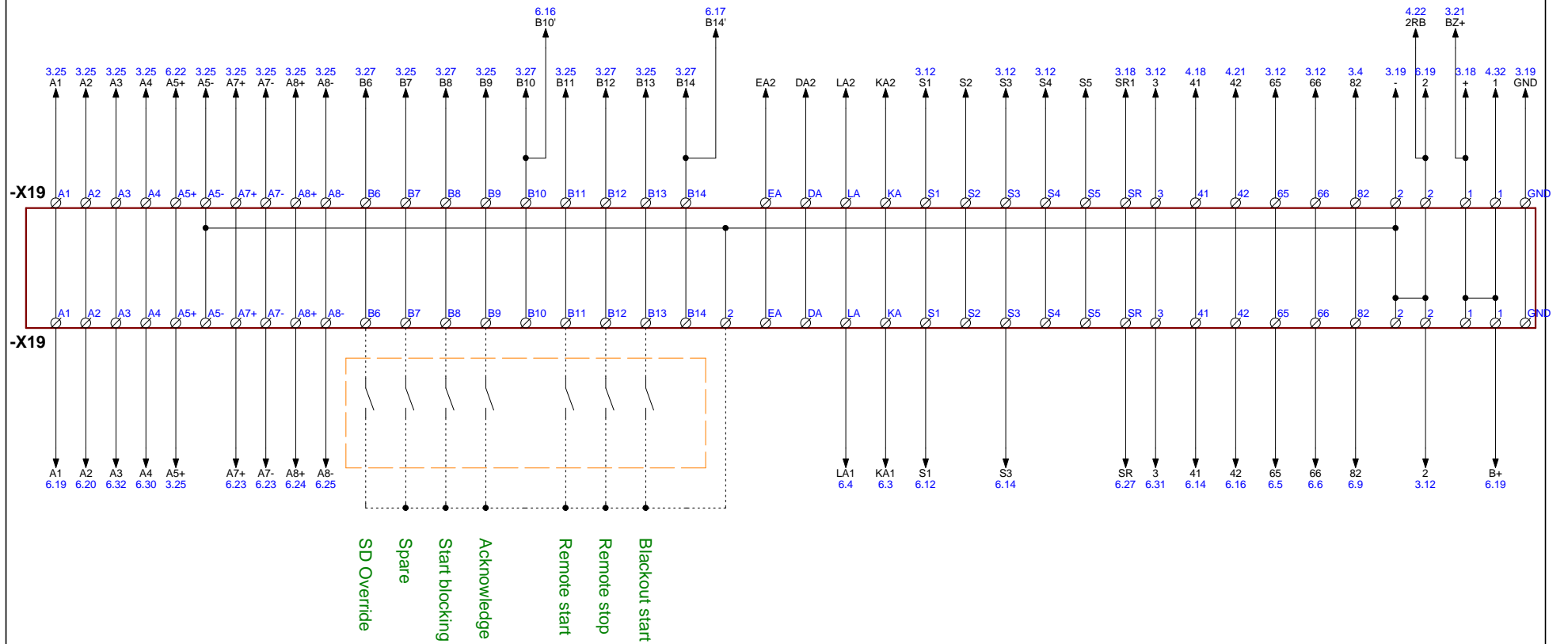
# System Connection Box



Customer/Shipyard:	File Name: SEM-051114-34F	Drawing no. <b>SEM-051114-34F</b>
Hull No:	Drawn by: RJ	Project no.
Engine: D7 AUX Electrical Starter	Based on software: 21654548_P01	Page 4 of 7
Page Title: Potential free contacts	Date For Last Change: 2013-12-18 15:36:58	

1 2 3 4 5 6 7 8 9 10 11 12 13 14 15 16 17 18 19 20 21 22 23 24 25 26 27 28 29 30 31 32 33 34 35 36 37 38

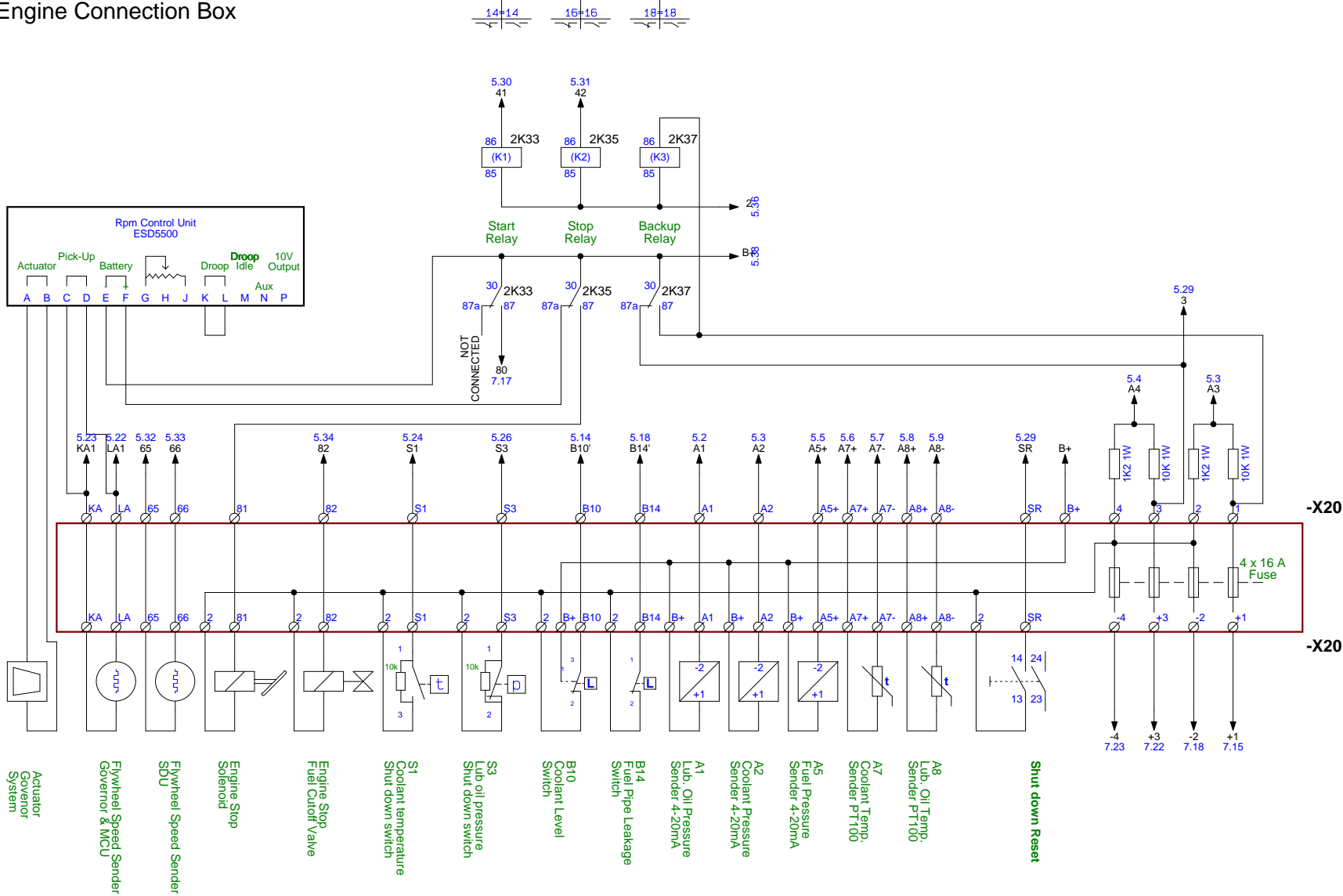
# System Connection Box



Customer/Shipyard:	File Name: SEM-051114-34F	Drawing no.
Hull No:	Drawn by: RJ	<b>SEM-051114-34F</b>
Engine: D7 AUX Electrical Starter	Based on software: 21654548_P01	Project no.
Page Title: User inputs , -X19 terminals	Date For Last Change: 2014-06-17 09:26:28	Page 5 of 7

1 2 3 4 5 6 7 8 9 10 11 12 13 14 15 16 17 18 19 20 21 22 23 24 25 26 27 28 29 30 31 32 33 34 35 36 37 38

# Engine Connection Box



Actuator Governor System

Flywheel Speed Sender Governor & MCU

SDU

Engine Stop Solenoid

Engine Stop Fuel Cutoff Valve

S1 Coolant temperature Shut down switch

S3 Lub oil pressure Shut down switch

B10 Coolant Level Switch

B14 Fuel Pipe Leakage Switch

A1 Lub. Oil Pressure Sender 4-20mA

A2 Coolant Pressure Sender 4-20mA

A5 Fuel Pressure Sender 4-20mA

A7 Coolant Temp. Sender PT100

A8 Lub. Oil Temp. Sender PT100

Shut down Reset



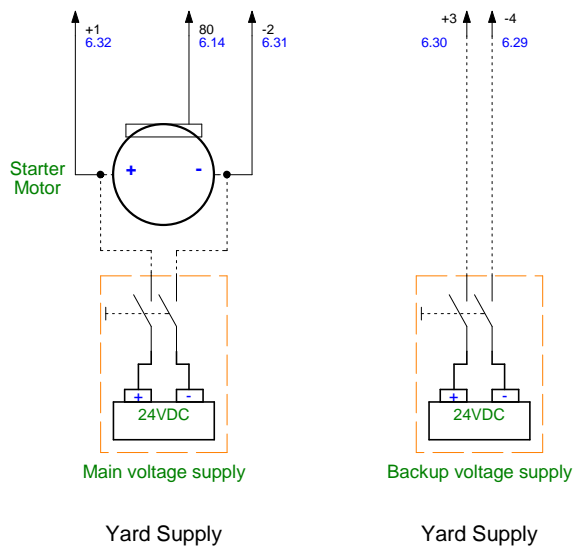
Customer/Shipyard:  
Hull No:  
Engine: D7 AUX Electrical Starter  
Page Title: Terminals -X20

File Name: SEM-051114-34F  
Drawn by: RJ  
Based on software: 21654548\_P01  
Date For Last Change: 2014-06-17 09:26:22

Drawing no.  
**SEM-051114-34F**  
Project no.  
Page 6 of 7

Engine

# Electrical Starter



**VOLVO**  
**PENTA**

Customer/Shipyard:	File Name: SEM-051114-34F	Drawing no.
Hull No:	Drawn by: RJ	<b>SEM-051114-34F</b>
Engine: D7 AUX Electrical Starter	Based on software: 21654548_P01	Project no.
Page Title: Voltage supply, Electric Starter	Date For Last Change: 2013-12-18 15:45:56	Page 7 of 7