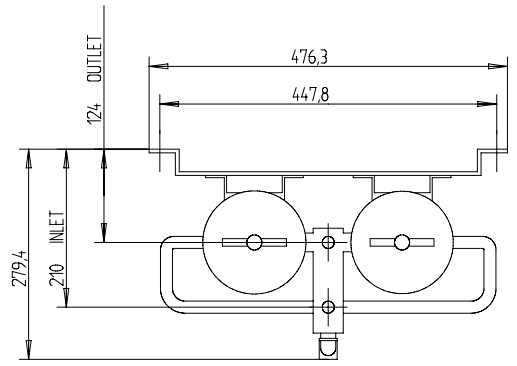
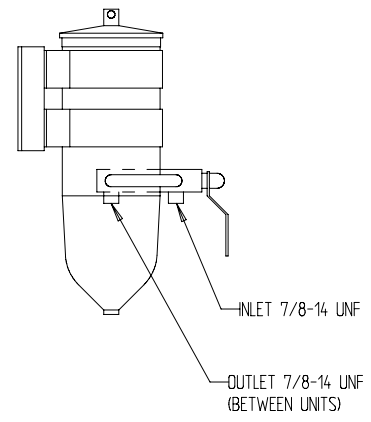
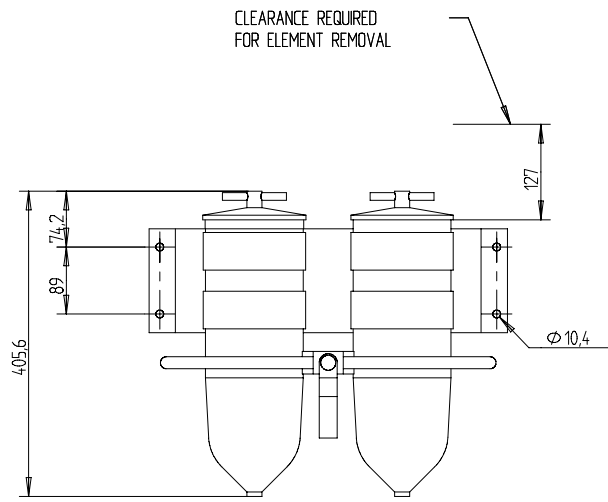


Engineering Release Notice (EN)	Location	Change description A-Added D-Deleted	W/ins W/ins	P/A: D:	1 . 0 . main 1 . 1 . main	Document release status
						Date
						Modification count



SCALE 1:5

1) REQUIRED DOCUMENTS				
DWG No	ISSUE	CAD DRAW NAME	CAD PART/ASSY NAME	BASE
	01	ZOC4757_877770	877770_1	

SYMBOLS, DESIGNATIONS AND GENERAL DRAWING METHODS STD 101-0005 AND STD 5023503		
Document title: FUEL FILTER		
Document type:		
Owner domain/Document prefix:		
		Document No: 01 Sheet No: 1/1